

# PRECISION

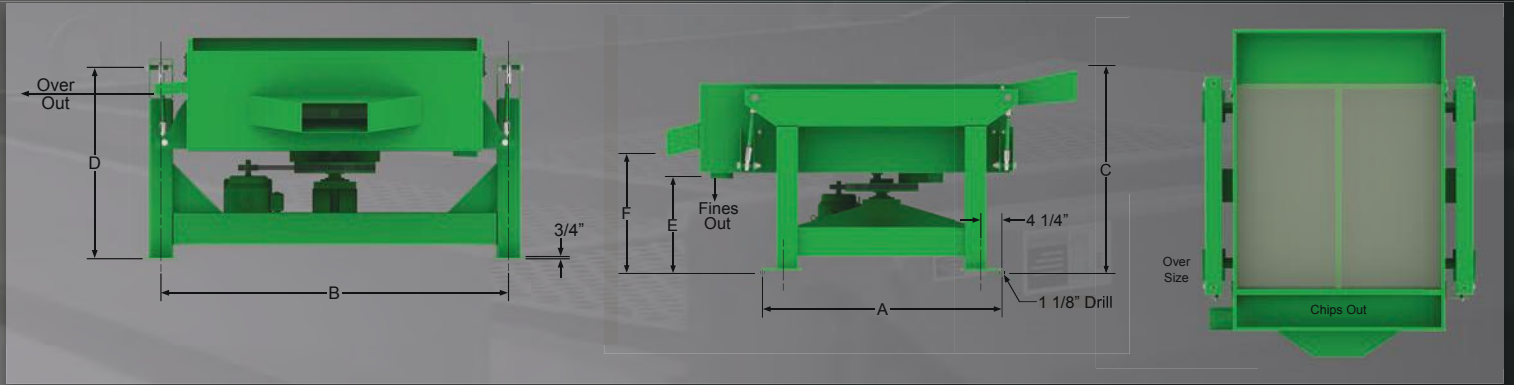
SAWMILL SERIES  
SAWMILL CHIP SCREEN



*Engineered for Performance, Built for Endurance*

P.O. Drawer 507 • Leeds, Alabama 35094 • Phone (205) 640-5181 • Fax (205) 640-1147 • Email: [sales@precisionhusky.com](mailto:sales@precisionhusky.com)

Precision "Fixed-Rotary" Chip Screens incorporate proven engineering features to assure long-life performance with consistent high quality production. The smooth glide of the fixed rotary counter weight from the balanced center axis of the drive unit, provides year after year of high performance with minimum maintenance. The low profile receiving pan is additional assurance that your Precision "Fixed-Rotary" Chip Screens will meet the most demanding requirements of any chip specifications.



Model No.	**Capacity (tons / Hr.)	Screen Surface	HP	Weight	A	B	C	D	E	F
PCS-55	13	60 x 60" [1.52 x 1.52m]	2HP [1.5kw]	2736 lbs. [1241 kg]	49 1/2" [1.25m]	71" [1.80m]	54" [1.37m]	38" [965mm]	24 1/2" [622mm]	32 3/4" [832mm]
PCS-66	18	72 x 72" [1.83 x 1.83m]	3HP [2.2kw]	3258 lbs. [1478 kg]	61 1/2" [1.56m]	83" [2.10m]	54" [1.37m]	38" [965mm]	24 1/2" [622mm]	32 3/4" [832mm]
PCS-77	25	84 x 84" [2.13 x 2.13m]	5HP [3.7kw]	4100 lbs. [1860 kg]	73 1/2" [1.87m]	95" [2.41m]	57 5/8" [1.46m]	41 5/8" [1.06m]	28" [711mm]	36 3/8" [924mm]
PCS-88	40	96 x 96" [2.44 x 2.44m]	7.5HP [5.6kw]	6500 lbs. [2948 kg]	84 1/2" [2.07m]	109" [2.77m]	70" [1.78m]	49 5/8" [1.26m]	30 1/8" [765mm]	37 3/8" [949mm]
*PCS-1010	65	120 x 120" [3.05 x 3.05m]	10HP [7.5kw]	8437 lbs. [3827 kg]	109 1/2" [2.78m]	133" [3.38m]	70" [1.78m]	47 1/4" [1.20m]	31 3/8" [797mm]	38 3/8" [975mm]

\* This screen has six (6) legs and requires a special foundation.  
 \*\* Based on full size discharge opening.

Specifications given were approved at the time of initial printing and are subject to change without notice and without incurring any liability.

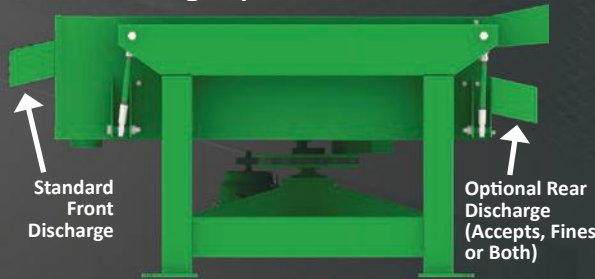


Standard



Optional

**Discharge Options**



**Optional Inverted Drive**



← Chip Screens are suspended from frame, with 1 1/4 " stress proof hanger rods with rod end bearings. Hanger rods are available with universal joints as an option.

Sales and Service