

PRECISION

SAWMILL SERIES
BARN SWEEP CONVEYOR



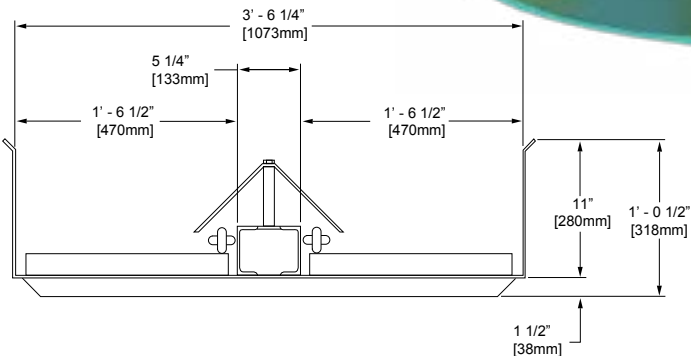
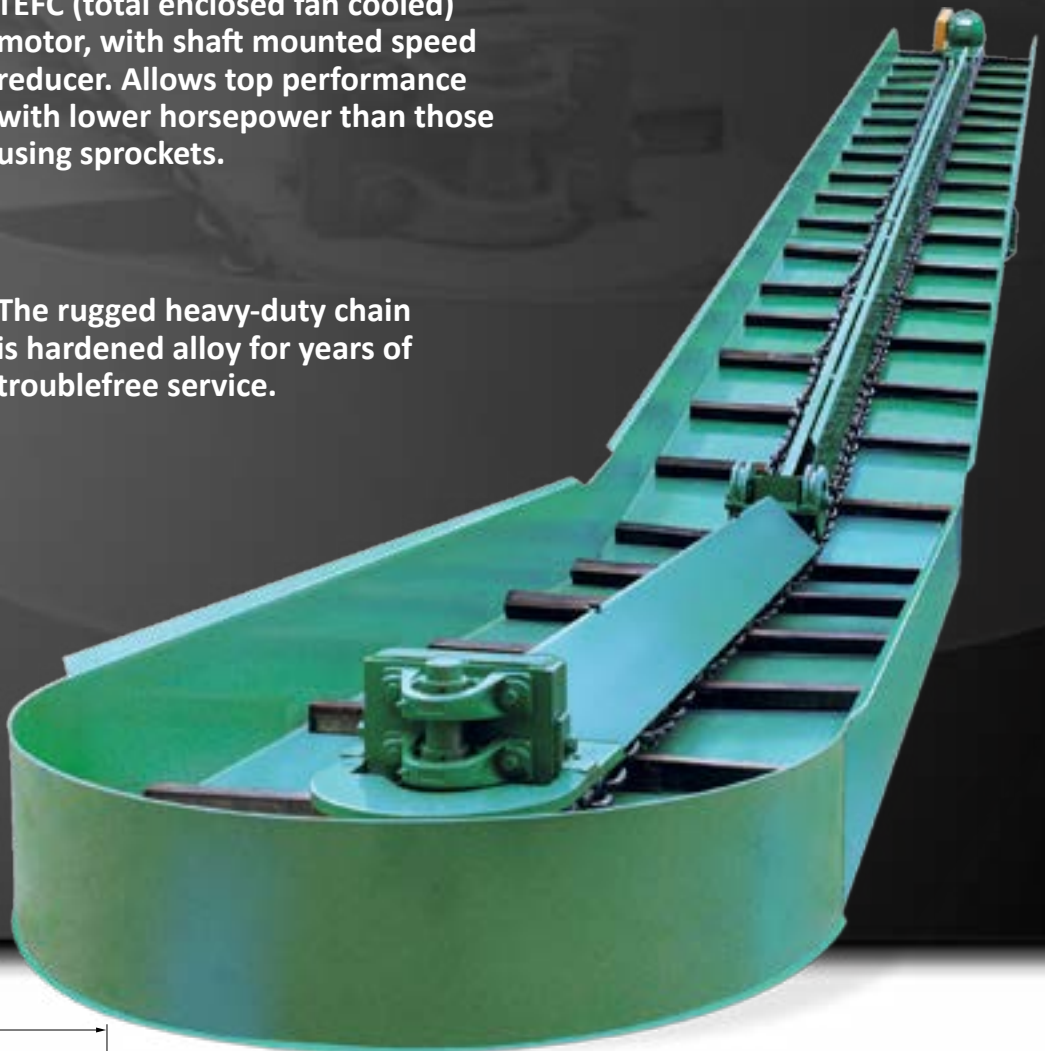
Standard equipment includes TEFC (total enclosed fan cooled) motor, with shaft mounted speed reducer. Allows top performance with lower horsepower than those using sprockets.



The rugged heavy-duty chain is hardened alloy for years of troublefree service.



Specifications given were approved at the time of initial printing and are subject to change without notice and without incurring any liability.



Engineered for Performance, Built for Endurance

P.O. Drawer 507 • Leeds, Alabama 35094 • Phone (205) 640-5181 • Fax (205) 640-1147 • Email: sales@precisionhusky.com