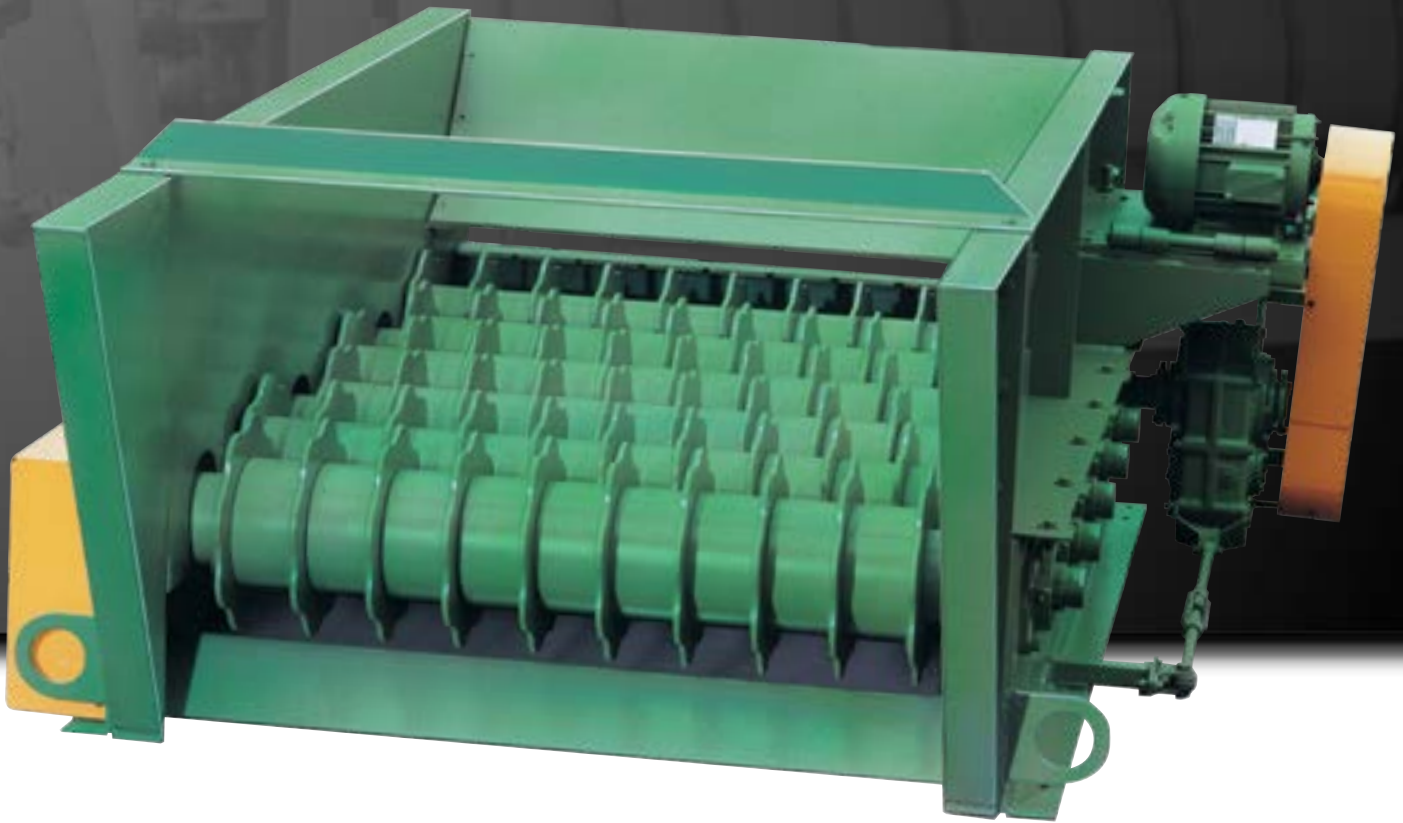


PRECISION

SAWMILL SERIES

DISC SCALPING SCREEN



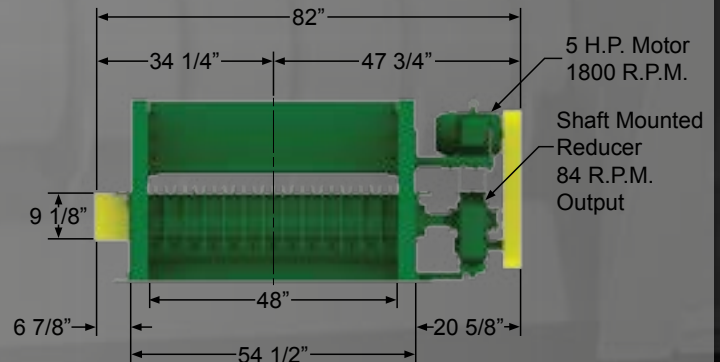
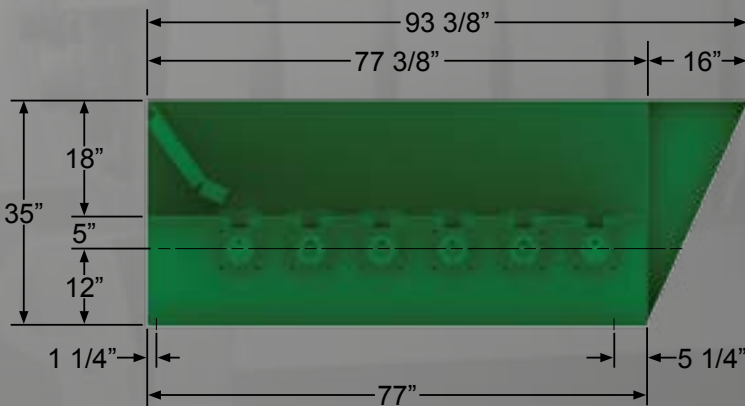
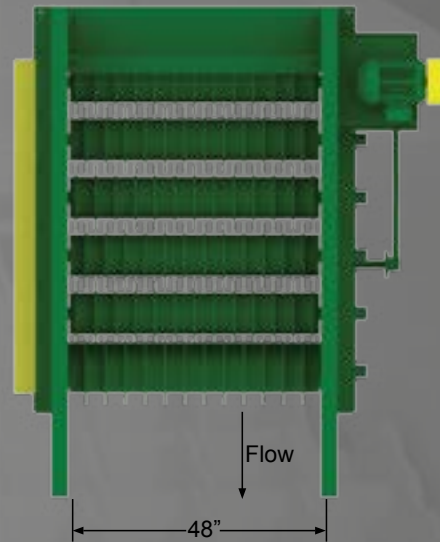
Engineered for Performance, Built for Endurance

P.O. Drawer 507 • Leeds, Alabama 35094 • Phone (205) 640-5181 • Fax (205) 640-1147 • Email: sales@precisionhusky.com

Precision's Disk Scalping Screen is designed to function as both a high-volume material classifier and conveyor. It accomplishes this by using multiple rotating shaft assemblies. As material is fed onto these special rotating shaft assemblies, it is conveyed, agitated and classified. The oversized material is conveyed over the end of the scalper screen and the acceptable material is dropped between the factory spaced rotating discs. These shaft assemblies consist of the shaft and multiple disc. Consecutive shaft assemblies have discs which interface with each other, at a pre-set opening.

Specifications

- Drive: 5 HP [3.7kw], 1800 RPM, TEFC 230/460 volt motor, Dodge shaft mounted gear reducer with 84 RPM output.
- 6 Rotor Assemblies: 6 Each 2 7/16" [62mm] round shafts reinforced with 4" [102mm] square tubing. Discs on rollers are abrasion resistant steel. Outside diameter of rollers is 13 1/2" [343mm].
- Bearings: Dodge SC 2 7/16" [62mm] 4-bolt flanged ball bearings.
- Dimensions: 93 5/8" [2.37m] long x 81 3/4" [2.07m] wide x 38" [965mm] high.
- Weight: Approximately 3750 pounds.
- Options: Disc spacings on the PDS-648 to suit customer's specifications – consult factory.
- NOTE: Consult factory for other available sizes of Disc Scalping Screens.



Specifications given were approved at the time of initial printing and are subject to change without notice and without incurring any liability.

Sales and Service



P.O. Drawer 507 - Leeds, Alabama 35094
Phone (205) 640-5181 - Fax (205) 640-1147 - Email: sales@precisionhusky.com

www.precisionhusky.com